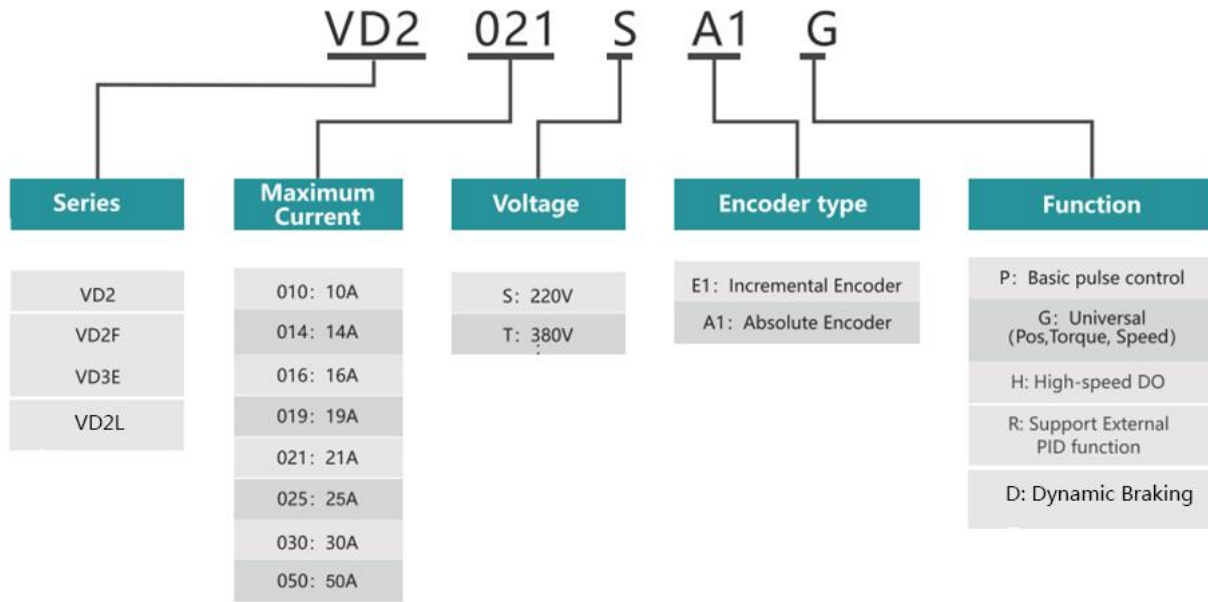
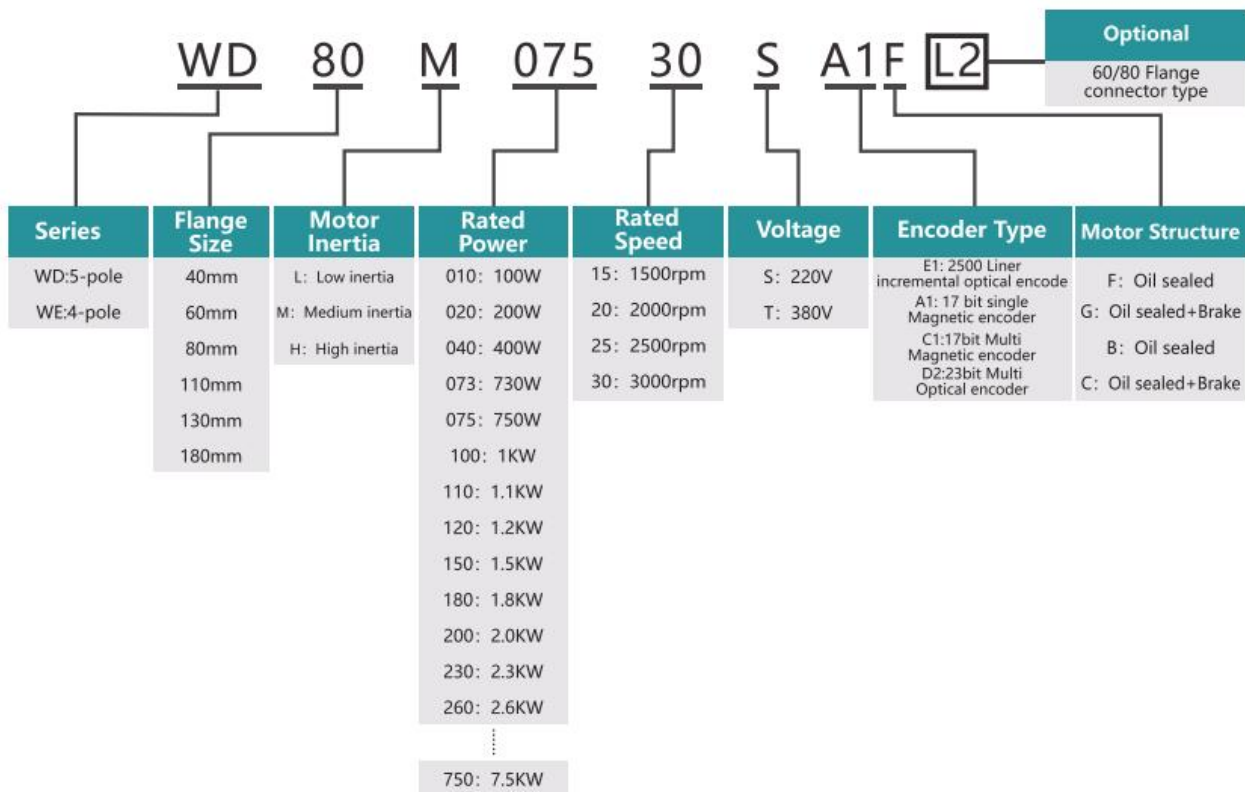


Drive Naming Rules



Motor Naming Rules



VD2L 17 bit Absolute Single-turn Magnetic Encoder

Flange Size	Motor Model	Drive Model	Rated Torque (N.m)	Rated Speed (rpm)	Voltage
60	WD60M-02030S-A1F	VD2L-010SA1P (D)	0.64	3000	220V
60	WD60M-02030S-A1F-L	VD2L-010SA1P (D)	0.64	3000	220V
60	WD60M-04030S-A1F	VD2L-010SA1P (D)	1.27	3000	220V
60	WD60M-04030S-A1F-L	VD2L-010SA1P (D)	1.27	3000	220V
80	WD80M-07530S-A1F	VD2L-014SA1P (D)	2.39	3000	220V
80	WD80M-07530S-A1F-L	VD2L-014SA1P (D)	2.39	3000	220V
80	WD80M-10030S-A1F	VD2L-014SA1P (D)	3.18	3000	220V
80	WD80M-10030S-A1G	VD2L-014SA1P (D)	3.18	3000	220V
80	WE80M-07530S-A1F	VD2L-014SA1P (D)	2.39	3000	220V
80	WE80M-11030S-A1F	VD2L-014SA1P (D)	3.5	3000	220V
80	WE80M-10025S-A1F	VD2L-014SA1P (D)	4	2500	220V
80	WE80M-12030S-A1F	VD2L-014SA1P (D)	4	3000	220V
110	WE110M-12030S-A1F	VD2L-014SA1P (D)	4	3000	220V
110	WE110M-15030S-A1F	VD2L-014SA1P (D)	5	3000	220V
130	WE130M-10025S-A1F	VD2L-014SA1P (D)	4	2500	220V
130	WE130M-13025S-A1F	VD2L-014SA1P (D)	5	2500	220V
130	WE130M-15025S-A1F	VD2L-014SA1P (D)	6	2500	220V



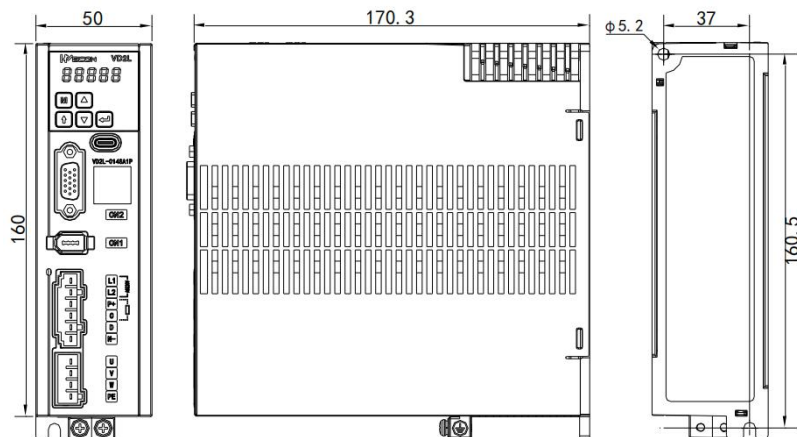
VD2L 17 bit Absolute Multi-turn Magnetic Encoder

Flange Size	Motor Model	Drive Model	Rated Torque (N.m)	Rated Speed (rpm)	Voltage
60	WD60M-02030S-C1F-L	VD2L-010SA1P (D)	0.64	3000	220V
60	WD60M-04030S-C1F	VD2L-010SA1P (D)	1.27	3000	220V
60	WD60M-04030S-C1F-L	VD2L-010SA1P (D)	1.27	3000	220V
80	WD80M-07530S-C1F	VD2L-014SA1P (D)	2.39	3000	220V
80	WD80M-07530S-C1F-L	VD2L-014SA1P (D)	2.39	3000	220V
80	WD80M-10030S-C1F	VD2L-014SA1P (D)	3.18	3000	220V
80	WD80M-10030S-C1G	VD2L-014SA1P (D)	3.18	3000	220V
80	WE80M-11030S-C1F	VD2L-014SA1P (D)	3.5	3000	220V
80	WE80M-12030S-C1F	VD2L-014SA1P (D)	4	3000	220V
110	WE110M-12030S-C1F	VD2L-014SA1P (D)	4	3000	220V
110	WE110M-15030S-C1F	VD2L-014SA1P (D)	5	3000	220V
130	WE130M-10025S-C1F	VD2F-014SA1P (D)	4	2500	220V
130	WE130M-13025S-C1F	VD2F-014SA1P (D)	5	2500	220V
130	WE130M-15025S-C1F	VD2F-014SA1P (D)	6	2500	220V

VD2L 23 bit Absolute Multi-turn Optical Encoder

Flange Size	Motor Model	Drive Model	Rated Torque (N.m)	Rated Speed (rpm)	Voltage
60	WD60M-02030S-D2F-L	VD2L-010SA1P (D)	0.64	3000	220V
60	WD60M-04030S-D2F	VD2L-010SA1P (D)	1.27	3000	220V
60	WD60M-04030S-D2F-L	VD2L-010SA1P (D)	1.27	3000	220V
80	WD80M-07530S-D2F	VD2L-014SA1P (D)	2.39	3000	220V
80	WD80M-07530S-D2F-L	VD2L-014SA1P (D)	2.39	3000	220V
80	WD80M-10030S-D2F	VD2L-014SA1P (D)	3.18	3000	220V
80	WD80M-10030S-D2G	VD2L-014SA1P (D)	3.18	3000	220V
80	WE80M-11030S-D2F	VD2L-014SA1P (D)	3.5	3000	220V
80	WE80M-12030S-D2F	VD2L-014SA1P (D)	4	3000	220V
110	WE110M-12030S-D2F	VD2L-014SA1P (D)	4	3000	220V
110	WE110M-15030S-D2F	VD2L-014SA1P (D)	5	3000	220V
130	WE130M-10025S-D2F	VD2L-014SA1P (D)	4	2500	220V
130	WE130M-13025S-D2F	VD2L-014SA1P (D)	5	2500	220V
130	WE130M-15025S-D2F	VD2L-014SA1P (D)	6	2500	220V

Remark: For the VD2L-014SA1P(D) model, we recommend using a motor of 750W.



SPECIFICATION

Item		VD2L	
Environment	Use	Temperature	0°C to 40°C
		Relative Humidity	5% to 95% (No condensation)
		Shock	3M4, 3mm [2 to 9Hz], hazardous zone 1
		Vibration	3M4, 1G [9 to 200Hz], hazardous zone 1
	Storage	Temperature	-25°C to 70°C
		Relative Humidity	5% to 95% (No condensation)
		Vibration	2M2, 3.5mm [2 to 9Hz]
Protection Level		IP10	
Environment		Places with no corrosive gas, flammable gas, combustible materials nearby; splash of water, oil, medicine and less dust, salt and metal powder.	
I/O Signal	Digital Input Signal		Up to 4 channels of DI. The supported DI functions include servo enable, fault clear and alarm, forward drive prohibition, reverse drive prohibition, zero-speed clamping, deviation counter clearing, instruction reverse, emergency stop, electronic gear ratio switching, gain switching, instruction pulse prohibition input, internal speed instruction selection, internal multi-segment position enable signal, internal multi-segment position segment selection.
	Digital Output Signal		Up to 4 DO channels supported. The supported DO functions are servo ready, fault signal, warning signal, rotation detection, zero speed signal, positioning completion, positioning approach, speed consistence, speed approach, torque arrival, torque limiting, speed limiting, brake output, servo on state output, Z pulse output and communication VDO output.
Debugging Interface	RJ45 and Type-C		RJ45 for Modbus RS485 and Type-C for SCTool
Position Control Mode	Input Signal	Pulse Instruction	Input pulse mode: Direction+Pulse and AB phase quadrature pulse
			Input form: Differential input, open collector
			Pulse input frequency: Differential input up to 500kHz and open collector up to 200kHz
	Internal Multi-segment Position Instruction Selection	Configure 4 DI ports for INPOS1, INPOS2, INPOS3, and INPOS4 to select positions in segments 1 to 16.	
Position Output	Output Form	Phase A, Phase B, Phase Z	
Speed Control Mode	Internal Instruction	Internal Multi-segment Speed Instruction Selection	Configure 3 DI ports to make their functions INSPD1, INSPD2, INSPD3, and realize the speed selection of segments 1 to 8.
Torque Control Mode	Internal Instruction	Internal Torque Instruction	Support torque instruction value -300% to 300%

60 Series Motor Specification

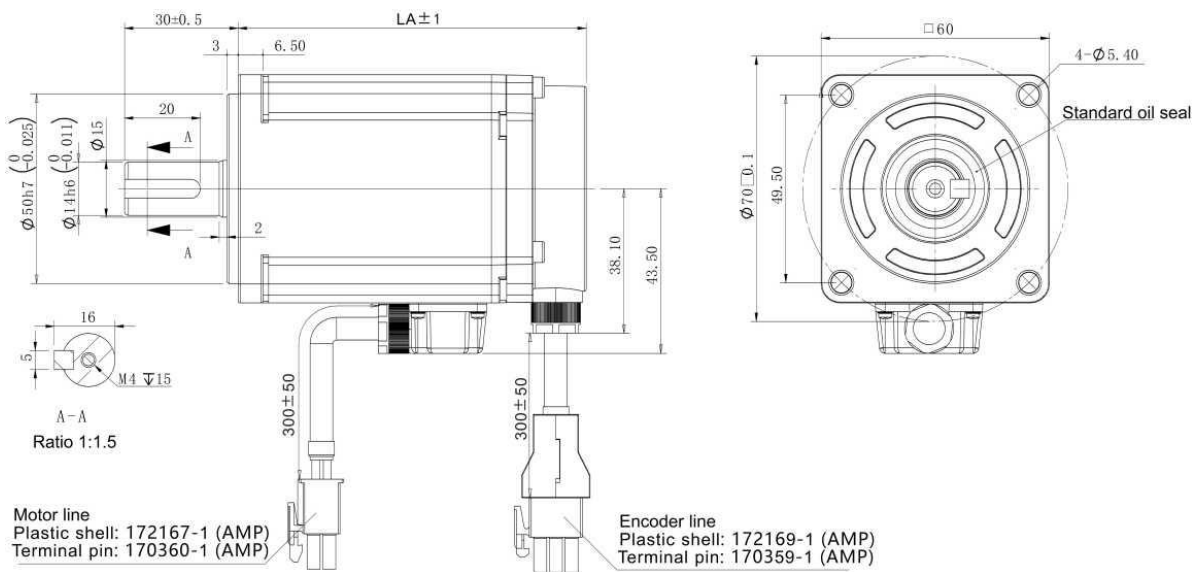
Motor model	WD60M-02030S [★] △	WD60M-04030S [★] △
Rated power (kW)	0.2	0.4
Rated torque (N·m)	0.64	1.27
Rated speed (r/min)	3000	3000
Brake	Optional	Optional
LA without Brake (mm)	75	92
LA with Brake (mm)	104.5	121.5

Remark:

★ : A1-17 bit single Magnetic encoder; C1-17 bit Multi Magnetic encode; D2- 23bit Multi Optical encoder

△ : F-sealed; G-sealed & Brake

-L: Connector type



80 Series Motor Specification

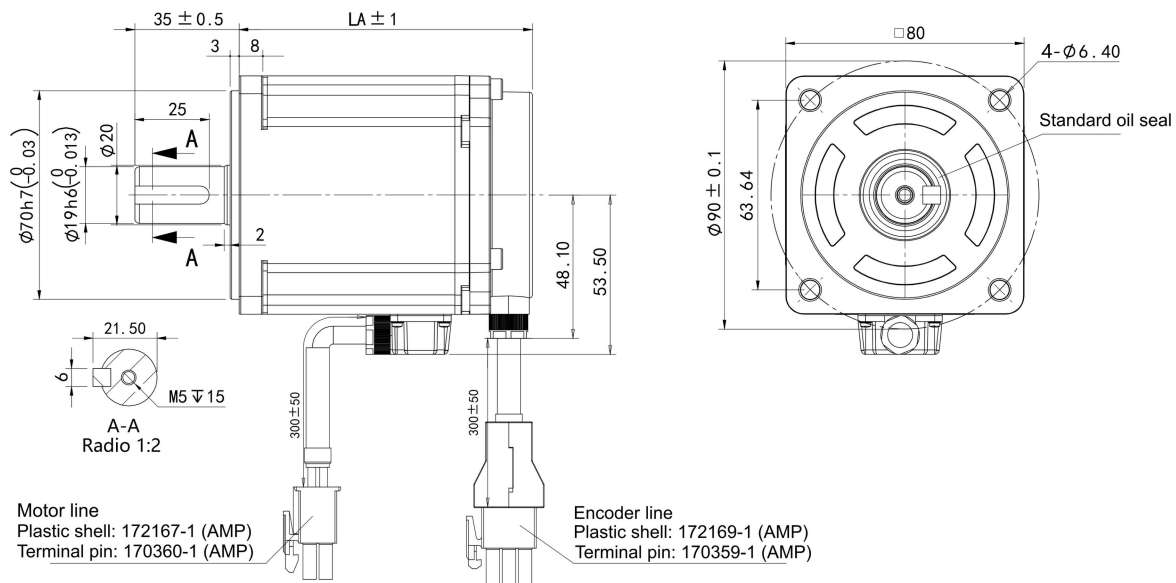
Motor model	WD80M-07530S [★] △	WD80M-10030S [★] △
Rated power (kW)	0.75	1
Rated torque (N·m)	2.39	3.18
Rated speed (r/min)	3000	3000
Brake	Optional	Optional
LA without Brake (mm)	98.5	98.5
LA with Brake (mm)	132.5	132.5

Remark:

★ : A1-17 bit single Magnetic encoder; C1-17 bit Multi Magnetic encode; D2- 23bit Multi Optical encoder

△ : F-sealed; G-sealed & Brake

-L: Connector type



80 Series Motor Specification

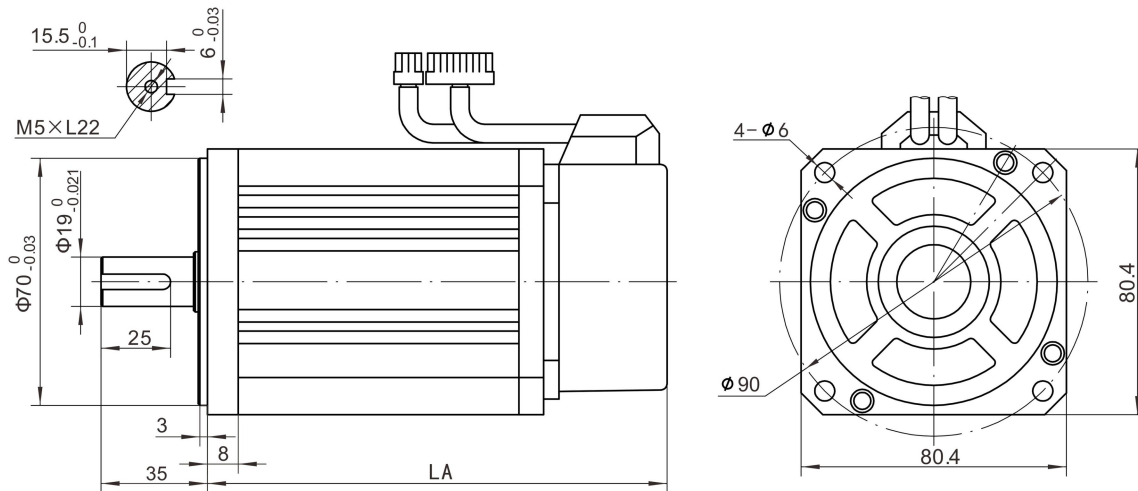
Motor model	WD80M-10025S ^{★△}	WD80M-11030S ^{★△}	WD80M-12030S ^{★△}
Rated power (kW)	1	1.1	1.2
Rated torque (N·m)	4	3.5	4
Rated speed (r/min)	2500	3000	3000
Brake	Optional	Optional	Optional
LA without Brake (mm)	191	179	191
LA with Brake (mm)	233	221	233

Remark:

★ : A1-17 bit single Magnetic encoder; C1-17 bit Multi Magnetic encode; D2- 23bit Multi Optical encoder

△ : F-sealed; G-sealed & Brake

-L: Connector type



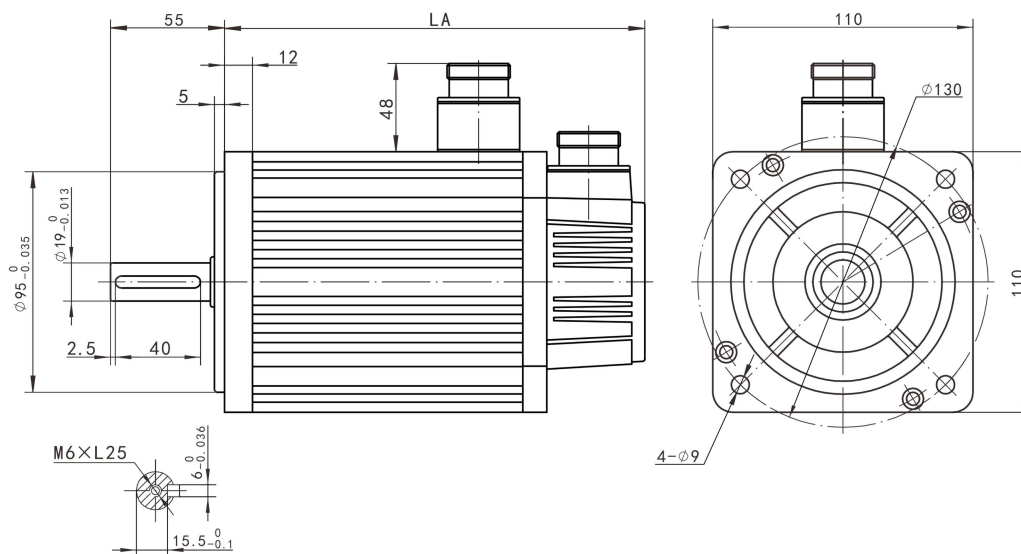
110 Series Motor Specification

Motor model	WE110M-12030S [★] △	WE110M-15030S [★] △
Rated power (kW)	1.2	1.5
Rated torque (N·m)	4	5
Rated speed (r/min)	3000	3000
Brake	Optional	Optional
LA without Brake (mm)	189	204
LA with Brake (mm)	254	269

Remark:

★ : A1-17 bit single Magnetic encoder; C1-17 bit Multi Magnetic encode; D2- 23bit Multi Optical encoder

△ : F-sealed; G-sealed & Brake



130 Series Motor Specification

Motor model	WE130M-10025S★△	WE130M-13025S★△	WE130M-15025S★△
Rated power (kW)	1.0	1.3	1.5
Rated torque (N·m)	4	5	5
Rated speed (r/min)	2500	2500	2500
Brake	Optional	Optional	Optional
LA without Brake (mm)	166	171	171
LA with Brake (mm)	226	231	231

Remark:

★ : A1-17 bit single Magnetic encoder; C1-17 bit Multi Magnetic encode; D2- 23bit Multi Optical encoder

△ : F-sealed; G-sealed & Brake

-L: Connector type

