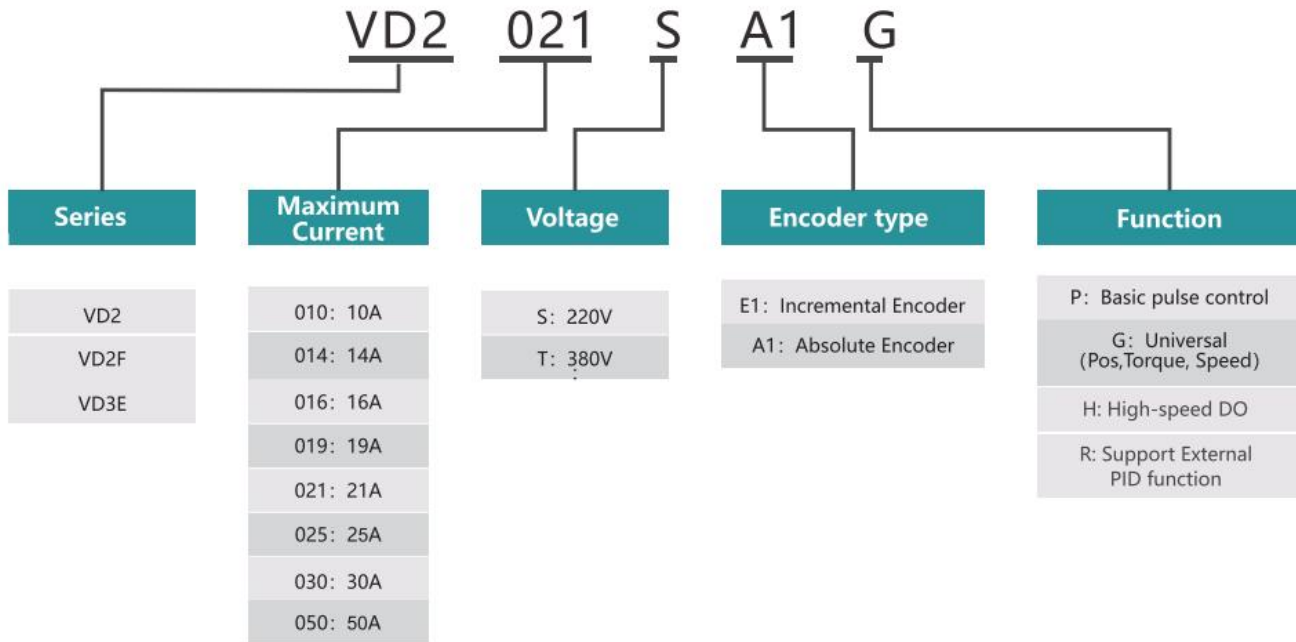
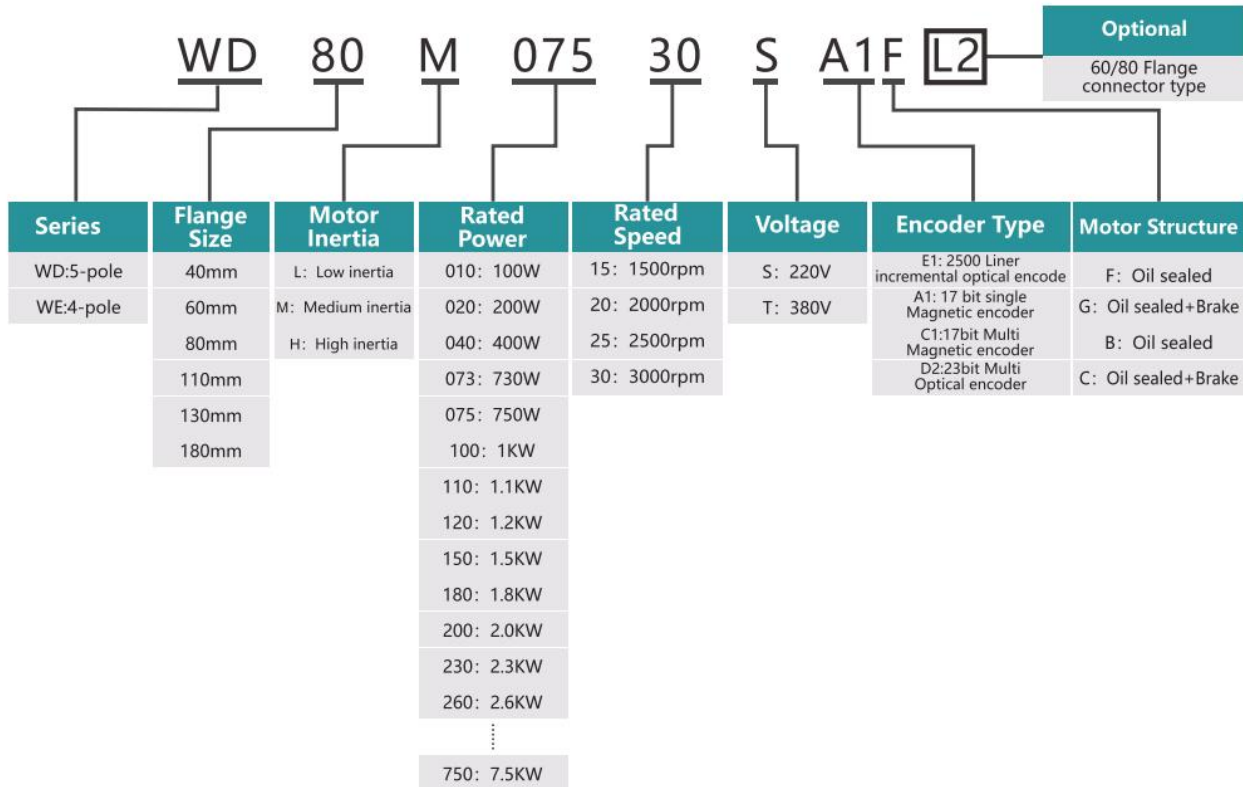


## Drive Naming Rules



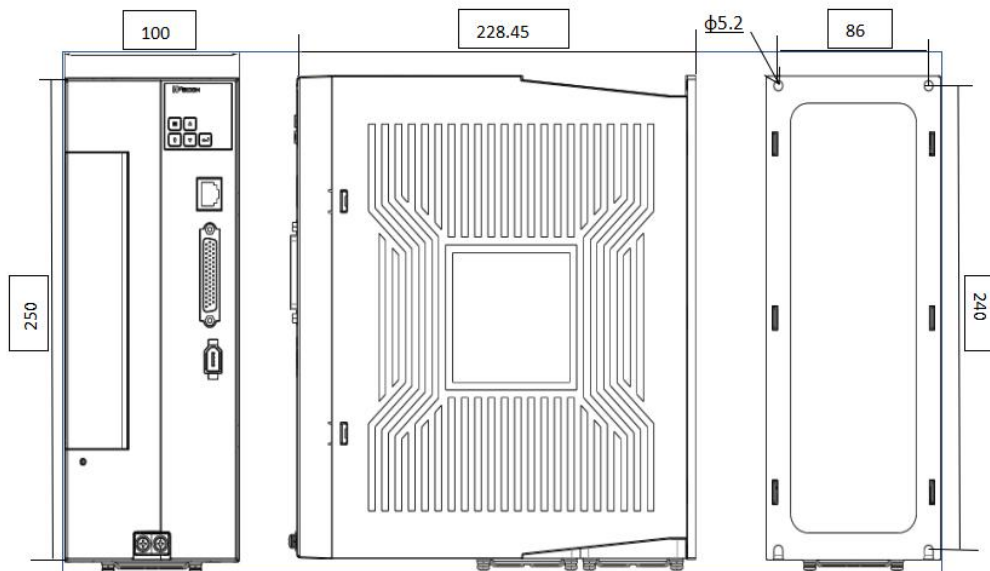
## Motor Naming Rules



## VD2 23 bit Absolute Multi-turn Optical Encoder

Flange Size	Motor Model	Drive Model	Rated Torque (N.m)	Rated Speed (rpm)	Voltage
180	WE180M-75015T-D2F	VD2-050TA1G	48	1500	380V
180	WE180M-75015T-D2G	VD2-050TA1G	48	1500	380V

Unit: mm



# SPECIFICATION

Item			VD2 Series
Maximum Output Current			50A
Control Power Supply			Single-phase AC 342V to 440V, 50/60Hz
Power Supply			Three-phase AC 342V to 240V 50/60Hz
Braking Resistor			Support built-in [40Ω, 100W] and external braking resistor
Environment	Use	Temperature	0 °C to 40 °C
		Relative Humidity	5% to 95%(no condensation)
		Shock	3M4,3mm [2 to 9Hz], hazardous zone 1
		Vibration	3M4, 1G[9 to 200Hz], hazardous zone 1
	Storage	Temperature	-25 °C to 70 °C
		Relative Humidity	5% to 95%(no condensation)
		Vibration	2M2, 3.5mm[2 to 9Hz]
Protection Level			IP10
Environment			Places with no corrosive gas, flammable gas, combustible materials nearby; splash of water, oil, medicine and less dust, salt and metal powder.
Input and Output Signals	Digital input (DI) Signal		Up to 8 DI channels(only 4 channels for VD2F model). The supported DI functions are servo enable, fault and alarm clear, forward drive prohibition, reverse drive prohibition, zero speed clamp, deviation counter clear, instruction reversal, emergency stop, electronic gear ratio switch, gain switch, instruction pulse input prohibition, internal speed instruction selection, mixed mode selection, internal multi-segment position enable signal and internal multi-segment position segment selection.
	Digital Output Signal		Up to 4 DO channels supported. The supported DO functions are servo ready, fault signal, warning signal, rotation detection, zero speed signal, positioning completion, positioning approach, speed consistence, speed approach, torque arrival, torque limiting, speed limiting, brake output, servo on output status, Z pulse output and communication VDO output. VD2-0xxSA1H model support through DO output pulse collector signal.
Debugging Interface	RJ45		RS485 and RS422 communication
Position Control Mode	Input Signal	Pulse Instruction	Input pulse mode: Input pulse form: direction+pulse, CW/CCW, AB phase quadrature pulse
			Input form: differential input, open collector
		Input pulse frequency: differential input up to 500KHz; open collector up to 200KHz.	
	Internal Multi-segment Position Instruction Selection	Configure 4 DI ports for INPOS1, INPOS2, INPOS3, and INPOS4 to select positions in segments 1 to 16.	
Position Output	Output Form	Phase A, Phase B, Phase Z	
Speed Control Mode	External Instruction	Analog Voltage	DC±10V, resolution 12 bits
	Internal Instruction	Internal Multi-speed Instruction	Configure 3 DI ports for INSPD1, INSPD2, and INSPD3 to select speed in segments 1 to 8.
Torque Control Mode	External Instruction	Analog Voltage	DC±10V, resolution 12 bits
	Internal Instruction	Internal Torque Instruction	Support torque instruction values -300% to 300%

## 180 Series Motor Specification

Motor model	WE180M-75015T <sup>★</sup> △
Rated power (kW)	7.5
Rated torque (N·m)	48
Rated speed (r/min)	1500
Brake	Optional
LA without Brake (mm)	346
LA with Brake (mm)	418

**Remark:**

★ : A1-17 bit single Magnetic encoder; C1-17 bit Multi Magnetic encode; D2- 23bit Multi Optical encoder

△ : F-sealed; G-sealed & Brake

-L: Connect

